

User Manual

2.2KW LS (Low PV Input Range) Solar Inverter for Water Pump

Table Of Contents

ABOUT THIS MANUAL	1
Purpose.....	1
Scope.....	1
SAFETY INSTRUCTIONS.....	1
Inspection.....	1
Installation.....	1
Operation	2
Maintenance	2
INTRODUCTION	3
Features.....	3
Basic System Architecture	3
Product Overview.....	4
INSTALLATION	5
Unpacking and Inspection.....	5
Preparation	5
Mounting the Unit.....	5
PV Connection	6
AC Input Connection.....	7
AC Output (Motor) Connection	8
Final Assembly.....	9
Remote Communication Connection	10
Control Signal Connection (Optional)	10
COMMISSIONING.....	11
OPERATION.....	12
Power ON/OFF	12
Operation and Display Panel	12
Parameter Setting	13
Fault and Warning Code	18
Fault Reference Code.....	18
Warning Reference Codes.....	19
SPECIFICATIONS.....	20

ABOUT THIS MANUAL

Purpose

This manual describes the assembly, installation, operation and troubleshooting of this unit. Please read this manual carefully before installations and operations. Keep this manual for future reference.

Scope

This manual provides safety and installation guidelines as well as information on tools and wiring.

SAFETY INSTRUCTIONS



WARNING: This chapter contains important safety and operating instructions. Read and keep this manual for future reference.

Inspection



If missing components or damaged inverter is found after receiving, please do NOT install or operate it. Otherwise, it may cause human injury or equipment damage.

Installation



1. Before installation, please make sure if the voltage range of PV panel and AC input voltage range meet the requirement.
2. Check if all wires are firmly connected without short circuit. Otherwise, it will cause equipment damage.
3. Do NOT install this inverter under direct sunlight because high temperature may cause equipment damage.
4. Please install the inverter away from inflammable and explosive objectives. Please ensure no liquid can enter the inverter.
5. Please install the inverter on metal non-combustible surface.



1. **CAUTION!!** Only qualified personnel can install and operate this inverter.
2. To reduce risk of electric shock, disconnect power source before making wire connection. Otherwise, it may cause electrical shock.
3. To reduce risk of electric shock, NEVER touch any terminals on electric circuits.
4. If connection cable between inverter and water pump is more than 50m, please be sure to install an AC reactor. Please choose single phase AC reactor if it's single phase water pump. Choose three-phase AC reactor if it's three-phase water pump. Inductance value for each phase is about 1mH. Otherwise, water pump would be easily to be damaged.

Operation



1. Only after wire connection is complete and put cover back to the inverter, it's ok to do commissioning. Otherwise, it will cause electric shock
2. If sunlight is sufficient but little water is pumped, maybe the wires on motor connection are reversely connected. Please reverse any two wires of them.
3. When testing water pump, be sure to install water pump at appropriate water level. Never allow water pump in dry running. Otherwise, the inverter will activate protection.

Maintenance



1. Only qualified personnel can maintain, repair, inspect the inverter and replace any components.
2. It may still contain energy after disconnecting power source for 10 minutes. Only service the unit after the bus voltage is within safe range.

INTRODUCTION

Interest in renewable energy has increased over the past few years due to solar power becoming more cost effective and eco-friendly. This is a solar inverter which allows power to be switched from the DC power obtained from solar panels to the AC power needed to control the pump. With the renewable solar inverter, pumps can adapt to solar power sources rather than traditional electrical supplies or generators.

This solar inverter is built-in with MPPT solar charger to maximize solar power. Besides, it is easy to install with low maintenance cost. It becomes an eco-friendly solution for the rural areas where grid power is expensive and unreliable.

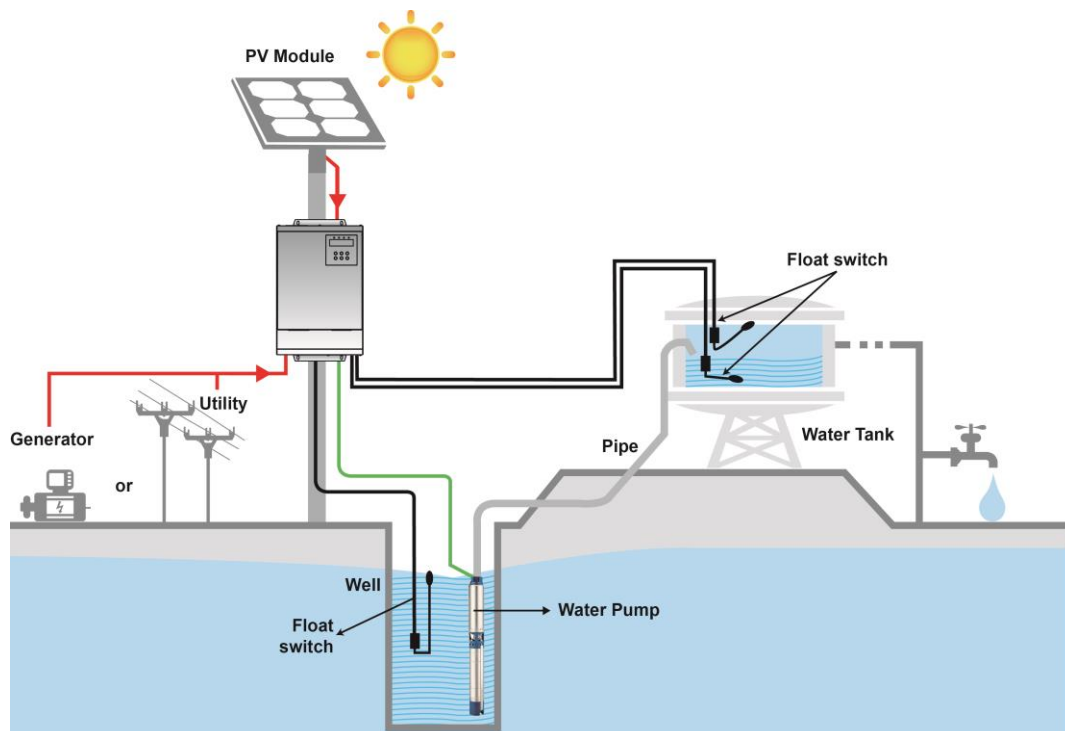
Besides, this inverter also accepts single-phase AC input. It allows the inverter to automatically switch between PV power and AC utility to guarantee water pump operation during night time.

Features

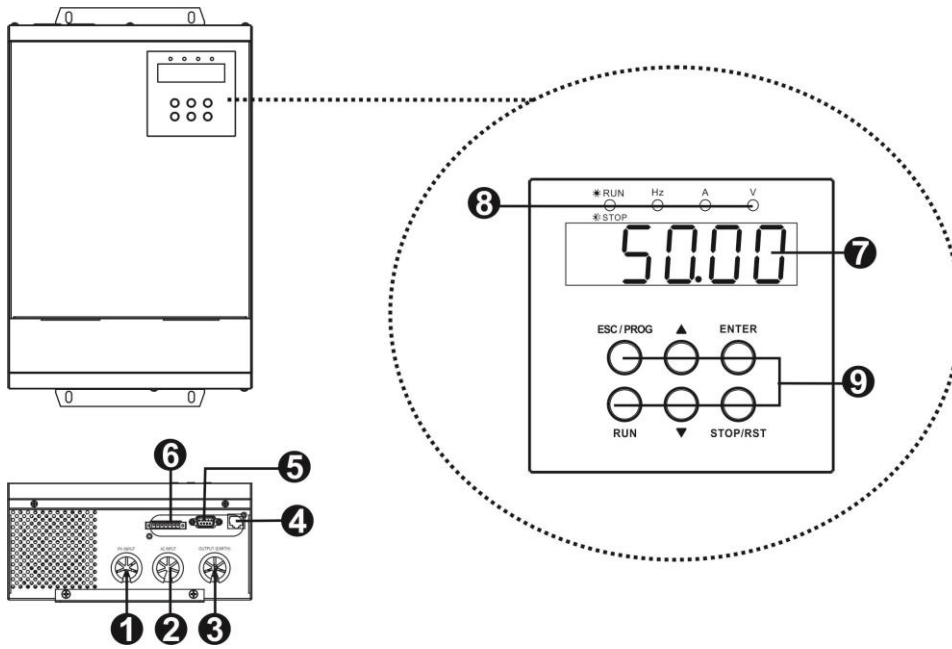
- Built-in MPPT solar charger
- Supports single-phase asynchronous motor or three-phase asynchronous motor
- Built-in full protection and self-diagnosis
- Soft start function prevents water hammer effect and extends system lifecycle
- Comprehensive LCD and LEDs display real-time system status
- Remote monitoring through RS-485
- Supports single-phase AC input. When PV energy is not sufficient, the inverter will automatically switch to AC input.
- Optional remote panel is available.

Basic System Architecture

This solar inverter is specially designed to power water pump. The following illustration shows basic application for this inverter. It also includes PV modules and remote float switches to have a complete running system.



Product Overview



1. PV input
2. Single-phase AC input
3. AC output
4. RS-485 communication port
5. RS-232 communication port
6. Signal control slot
7. Display screen (Refer to Operation and Display Panel for the details)
8. LED indicators (Refer to Operation and Display Panel for the details)
9. Operation buttons (Refer to Operation and Display Panel for the details)

INSTALLATION

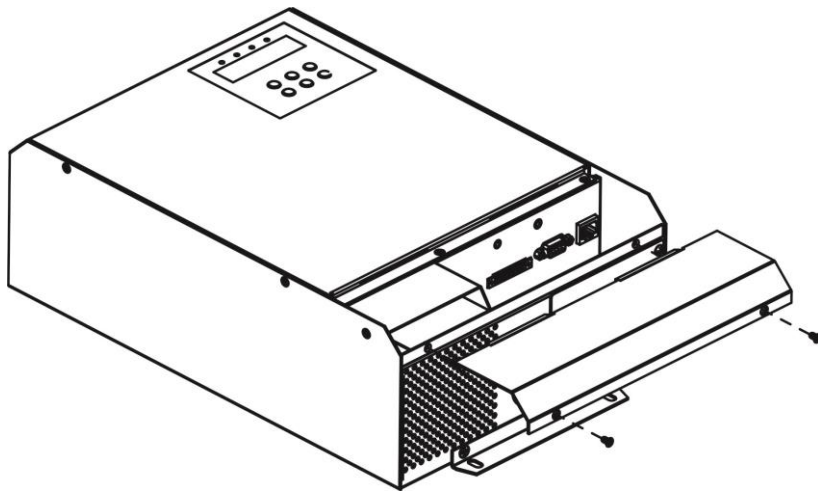
Unpacking and Inspection

Before installation, please inspect the unit. Be sure that nothing inside the package is damaged. You should have received the following items inside of package:

- The unit x 1
- User manual x 1
- RJ45 cable x 1
- RS-232 cable x 1

Preparation

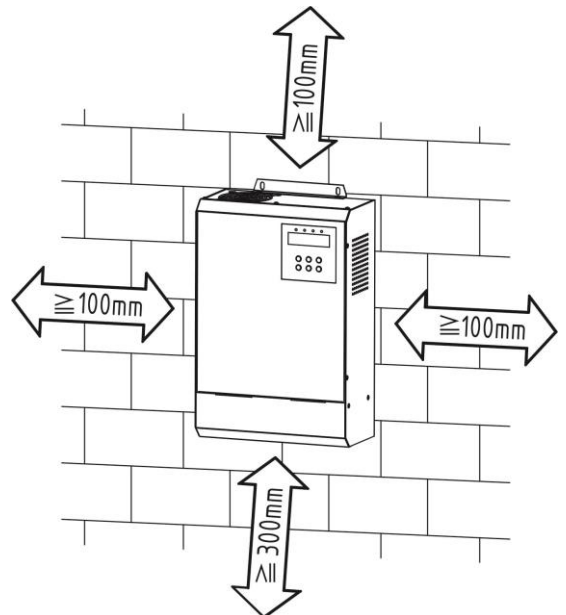
Before connecting all wirings, please take off bottom cover by removing two screws as shown below.



Mounting the Unit

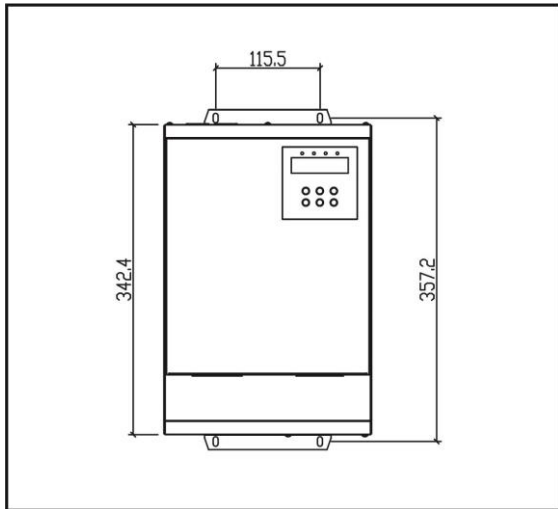
Consider the following points before selecting where to install:

- Do not mount the inverter on flammable construction materials.
- Mount on a solid metal surface.
- Avoid direct sunlight. Be sure the environment is shady and cool.
- Be sure to install the inverter into a box with waterproof and dustproof.
- Install this inverter at eye level in order to allow the LCD display to be read at all times.
- The recommended installation position is to be adhered to the wall vertically.
- Be sure to keep other objects and surfaces as shown in the diagram to guarantee sufficient heat dissipation and to have enough space for removing wires.

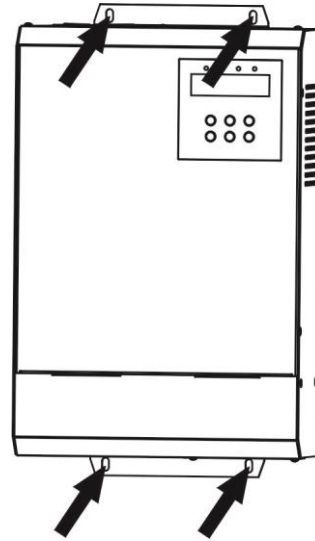


SUITABLE FOR MOUNTING ON CONCRETE OR OTHER NON-COMBUSTIBLE SURFACE ONLY.

1. Drill four holes in the marked locations with four screws.



2. Install the unit by screwing four screws. It's recommended to use M5 screws.



PV Connection

CAUTION: Before connecting to PV modules, please install **separately** a DC circuit breaker between inverter and PV modules. The recommended spec of DC breaker is C16A/2P/750VDC/20KA for 2.2KW LS.

NOTE: It's required to install PV combiner box when using several PV modules in parallel and series.



CAUTION: Important

Before making PV connection, be sure to do the following actions to prevent human injury or machine damage.

1. It's required to turn off circuit breaker.
2. Make sure connect positive pole (+) of PV input connector in inverter to positive pole (+) of PV modules and negative pole (-) of PV input connector in inverter to negative pole (-) of PV modules.

PV Module Selection:

When selecting proper PV modules, please be sure to consider below parameters:

1. Open circuit Voltage (Voc) of PV modules not exceeds max. DC voltage (450VDC).
2. Accumulated voltage of connected PV panels should be close to 330V for inverter with 220V output voltage.

To calculate PV module numbers in series (N) and in parallel (M), please follow below formula:

- For three-phase output:
 - $Imp > Po / (Kvo \times 0.9 \times M)$
 - For single-phase output, please use 2 times of PV power rating.
 - $Imp > 2 \times Po / (Kvo \times 0.9 \times M)$
- Po represents the rated output power.
Kvo is equal to 330V/345V/360V for 220V/230V/240V output voltage respectively.
- Maximum PV module numbers in series (N) $> 330 / Vmp$

We strongly recommend the total PV Vmp is around 330Vdc to get the optimum MPPT output.

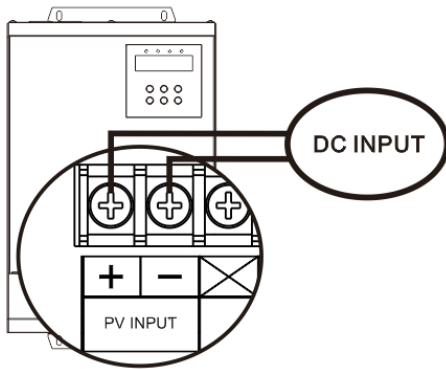
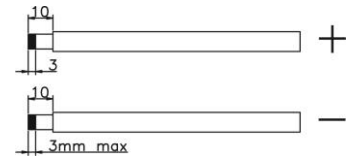
Below are popular solar panel specifications in the market:

- A. 75-A: 75W, $V_{mp}=17.46V$, $I_{mp}=4.3A$, $V_{oc}=21.96V$
- B. 75-B: 75W, $V_{mp}=13.3V$, $I_{mp}=5.64A$, $V_{oc}=16.94V$
- C. 140-A: 140W, $V_{mp}=17.9V$, $I_{mp}=7.82A$, $V_{oc}=22.0V$
- D. 250-A: 250W, $V_{mp}=30.64$, $I_{mp}=8.16A$, $V_{oc}=37.38V$

Output type	PV Panel 75-A	PV Panel 75-B	PV Panel 140-A	PV Panel 250-A
Three-phase output	19 pieces in Series x 2 Strings (2850W PV Panels)	25 pieces in Series x 2 Strings (3750W PV Panels)	19 pieces in Series (2660W PV Panels)	11 pieces in Series (2750W PV Panels)
Single-phase output	19 pieces in Series x 4 Strings (5700W PV Panels)	25 pieces in Series x 3 Strings (5625W PV Panels)	19 pieces in Series x 2 Strings (5320W PV Panels)	11 pieces in Series x 2 Strings (5500W PV Panels)

Please follow below steps to implement PV module connection:

1. Remove insulation sleeve 10 mm for positive and negative conductors.
2. Check correct polarity of connection cable from PV modules and PV input connectors. Then, connect positive pole (+) of connection cable to positive pole (+) of PV input connector. Connect negative pole (-) of connection cable to negative pole (-) of PV input connector.



3. Make sure the wires are securely connected.

AC Input Connection

CAUTION: Before connecting to AC power source, please install a **separate** AC circuit breaker between inverter and AC utility. It's recommended to use 25A/2P/230V/4500A circuit breaker.

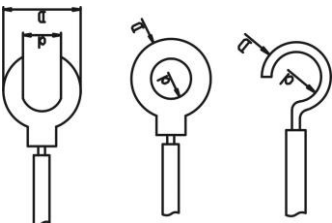


CAUTION: Important

Before making AC input connection, be sure to do the following actions to prevent human injury or machine damage.

1. It's required to turn off circuit breaker.
2. Make sure to connect single-phase AC input to the L & N input connectors in inverter.

Recommended terminal types:



Suggested cable requirement:

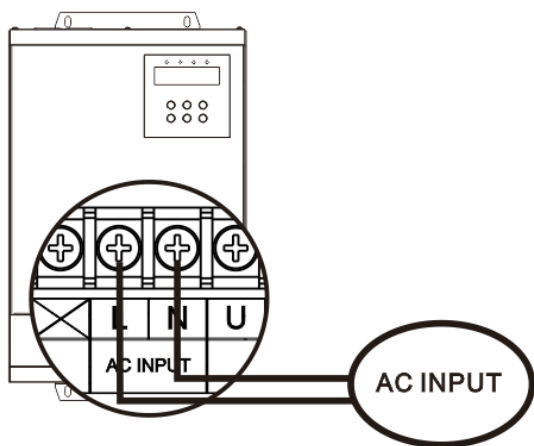
Model	Typical Amperage	Wire size	Terminal		Torque Value
			Dimensions		
			d (mm)	D (mm)	
2.2KW LS	22A	11 AWG	4.5	9.5	1.3 ~ 1.4 Nm

Please follow below steps to implement AC input connection:

1. Before making AC input connection, be sure to disconnect all circuit breakers or disconnectors first.
2. Remove insulation sleeve 10mm for two conductors. And shorten phase L and neutral conductor N 3 mm.
3. Insert AC input wires according to polarities indicated on terminal block and tighten the terminal screws.

L→LINE (brown or black)

N→Neutral (blue)



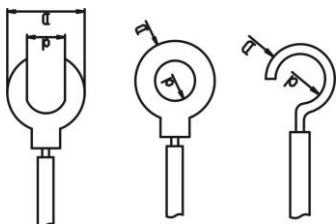
4. Make sure the wires are securely connected.

AC Output (Motor) Connection

WARNING! All wiring must be performed by a qualified personnel.

WARNING! It's very important for system safety and efficient operation to use appropriate cable for AC output connection. To reduce risk of injury, please use the proper recommended terminal and cable size as below.

Recommended terminal types:



Suggested cable requirement:

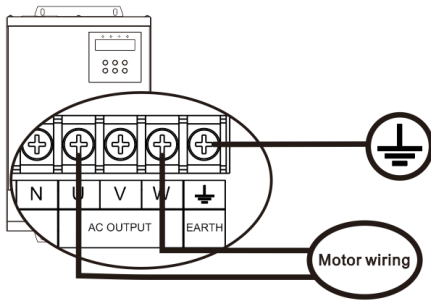
Model	Typical Amperage	Wire size	Terminal		Torque Value
			Dimensions		
			d (mm)	D (mm)	
2.2KW LS	15A	13 AWG	4.5	9.5	1.3 ~ 1.4 Nm

Please follow below steps to implement AC output connection:

1. Remove insulation sleeve 10mm for two conductors if applying single-phase output or three conductors if applying three-phase output. And shorten these conductor 3 mm.
2. Please follow below steps to complete output wire connection.

Single-phase motor connection

If applying for single-phase output application, please connect AC output U and W terminals to single-phase motor as shown below:

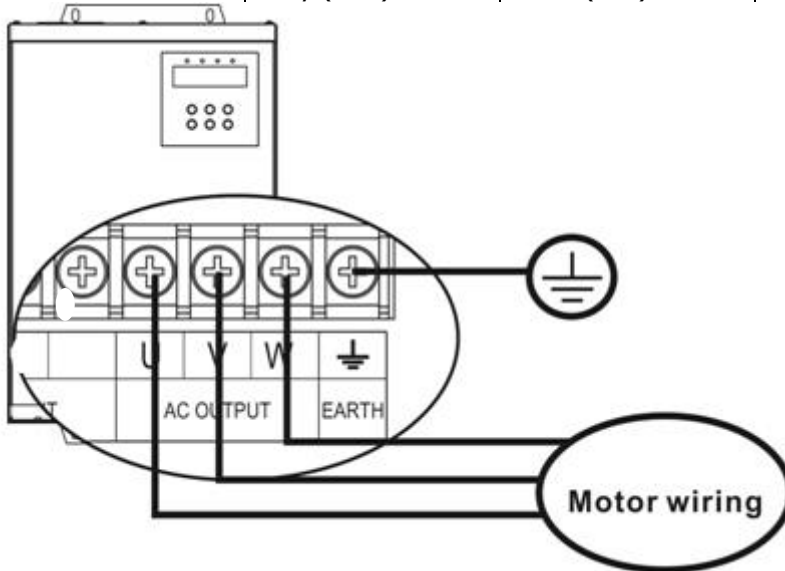


Three-phase motor connection

NOTE: If sunlight or AC input is normal, but little water is pumped, maybe the output wires on motor connection are reversely connected. Please reverse any two wires of them.

International standards for motor lead wire

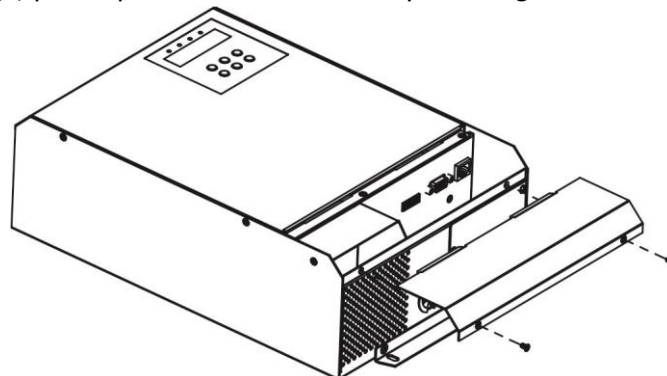
US	Black (BLK)	Red (RED)	Yellow (YEL)	Ground (GND)
International	Gray (GRY)	Black (BLK)	Brown (BRN)	Ground (GND)



3. Make sure the wires are securely connected.
4. Make sure the control setting is matching the real wiring application.

Final Assembly

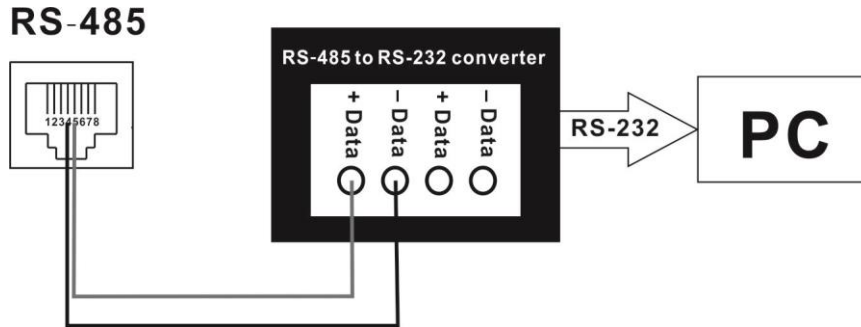
After connecting all wirings, please put bottom cover back by screwing two screws as shown below.



Remote Communication Connection

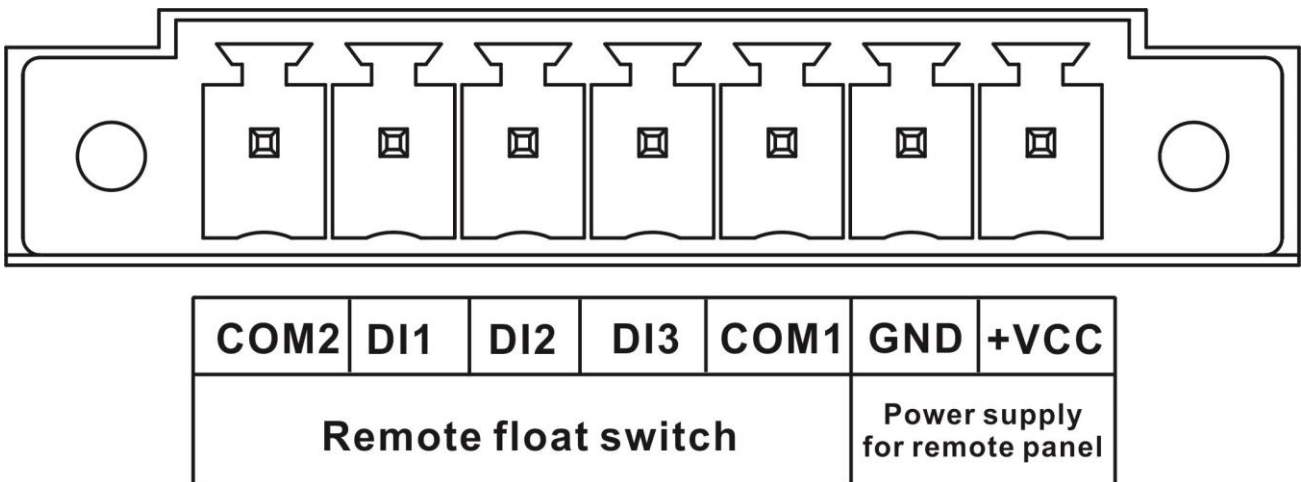
WARNING: Please do NOT mis-connect the wires between RJ45 and RS485/RS-232 converter.

First, please use one RS485 to RS 232 converter as media converter between inverter and computer. Please follow below chart for wiring connection between RS485 on the inverter and media converter. It's necessary to connect to the utility as power source for the media converter. Then, use supplied RS-232 cable to connect to converter and computer. After wiring is complete, the media converter will light on and any data transmission occurs, the indicators for RXD and TXD will flash.



Control Signal Connection (Optional)

There are 7 ports in control signal connection. 2-port on the right side is to power supply for remote panel. 5-port on the left side is to detect water level to prevent water pump from dry running and water tank from overflow/underflow.

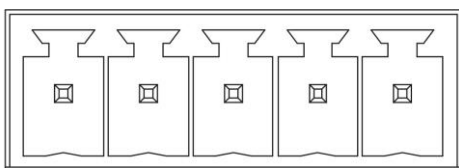


Power Supply for Remote Panel

If using remote panel, please connect these two ports to supply power for remote panel. Please follow user manual of remote panel for the detailed wire connection.

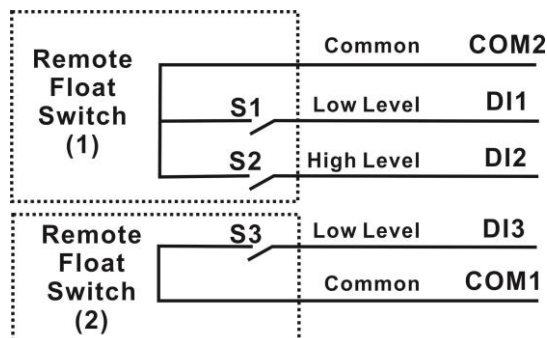
Remote float switch Detection

Control Signal Port:



COM2	DI1	DI2	DI3	COM1
Remote float switch (1)			Remote float switch (2)	

Internal circuit:



Signal Port Status

Signal Water level status	Remote Float Switch (1)		Remote Float Switch (2)
	S1	S2	S3
Normal Level	Open	Open	Close
Low Level	Close	Open	Open
High Level	Open	Close	n/a

Remote float switch (1):

It's to prevent water tank overflow or underflow by sensing a remote float switch in water tank. When water level is normal, it will keep DI1 & COM2 and DI2 & COM2 in open status. When water level is high in water tank, it will receive high-level signal (open status on DI1 & COM2 and closed status on DI2 & COM2) from float switch and stop the inverter. When water tank is in low level, it will receive low-level signal (closed status on DI1 & COM2 and open status on DI2) from float switch and start up the inverter. This action is only available when the auto turn-on function is enabled. If the water level is normal, DI1 and COM2 are normally in open status.

Remote float switch (2):

It's to prevent the water pump dry running by connecting to remote float switch. The length of connecting wire should not longer than 50m. If the water level is normal in the well, COM1 and DI3 (S3) is kept in normal close status. If the water level is low in the well, COM1 and DI3 (S3) will be open status. If open status is detected for COM1 and DI3 (S3), the inverter will automatically shut down in two seconds and show alarm. If closed status is detected for COM1 and DI3 (S3) again, the inverter will automatically turn on in two seconds and clear the alarm. And this automatic turn-on action only be effective when program P4.01 is set up as "1". If this port is not connected to water level probe, be sure to connect COM1 and DI3 together. It's default setting from factory.

COMMISSIONING

Step 1: Check the following requirements before commissioning:

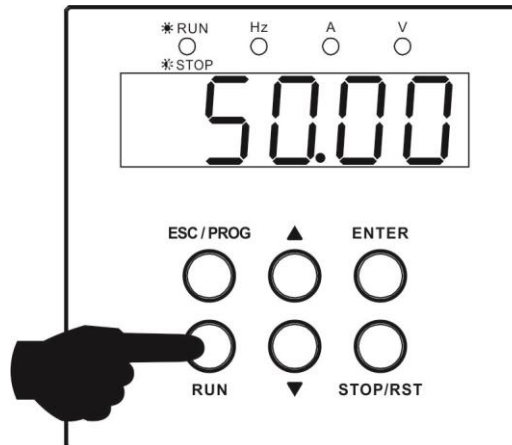
- Ensure all wires are firmly and correctly connected
- Use a megger to check insulation of motor and wires
- Check if the open circuit DC voltage of PV module meets requirement

Step 2: Switch on DC breaker or AC breaker and provide power to the inverter. Then, LCD screen will show 0.00. Please set up the parameters of the inverter such as rated power, rated frequency, rated current and rated voltage. For the detailed setting, please check "Parameter setting" section in Operation chapter.

Step 3: Press "RUN" button to activate the inverter. If the output frequency or water yield is low, it may be wrong for output wire connection. Please exchange any two wires connected to the motor. Please be sure the output frequency and water yield are normal. It means the wire connection is correct and complete.

OPERATION

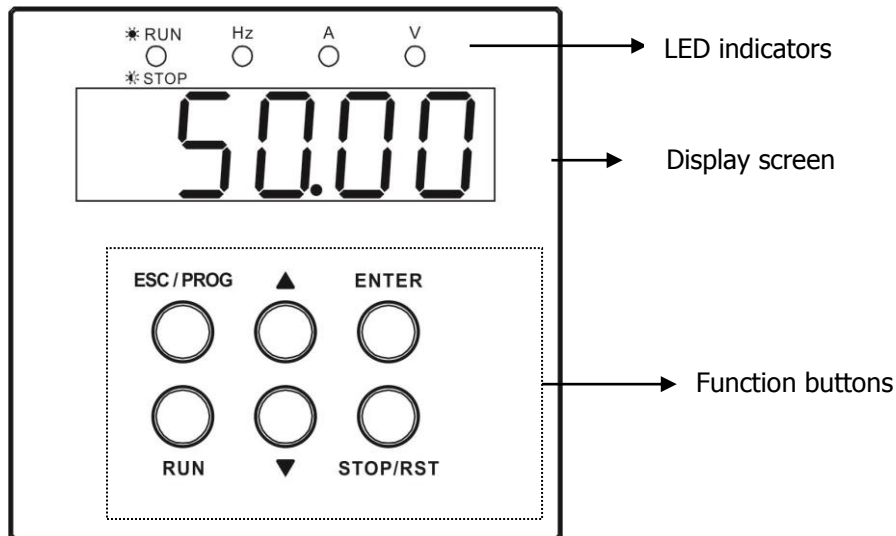
Power ON/OFF



Once the unit has been properly installed, simply press "RUN" button (located on the button area) to turn on the unit.

Operation and Display Panel

The operation and display panel, shown in below chart, is on the top case of the inverter. It includes four indicators, six function buttons and a display screen, indicating the operating status and input/output power information.



LED Indicator

LED Indicator			Messages
Hz	Green	Solid On	Output frequency value is displayed on the LCD screen.
A	Green	Solid On	Output current value is displayed on the LCD screen.
V	Green	Solid On	Output voltage value is displayed on the LCD screen.
A and V	Green	Solid on	Output power value is displayed on the LCD screen.
STOP/RUN	Green	Solid on	The inverter is running.
	Green	OFF	The inverter stops.

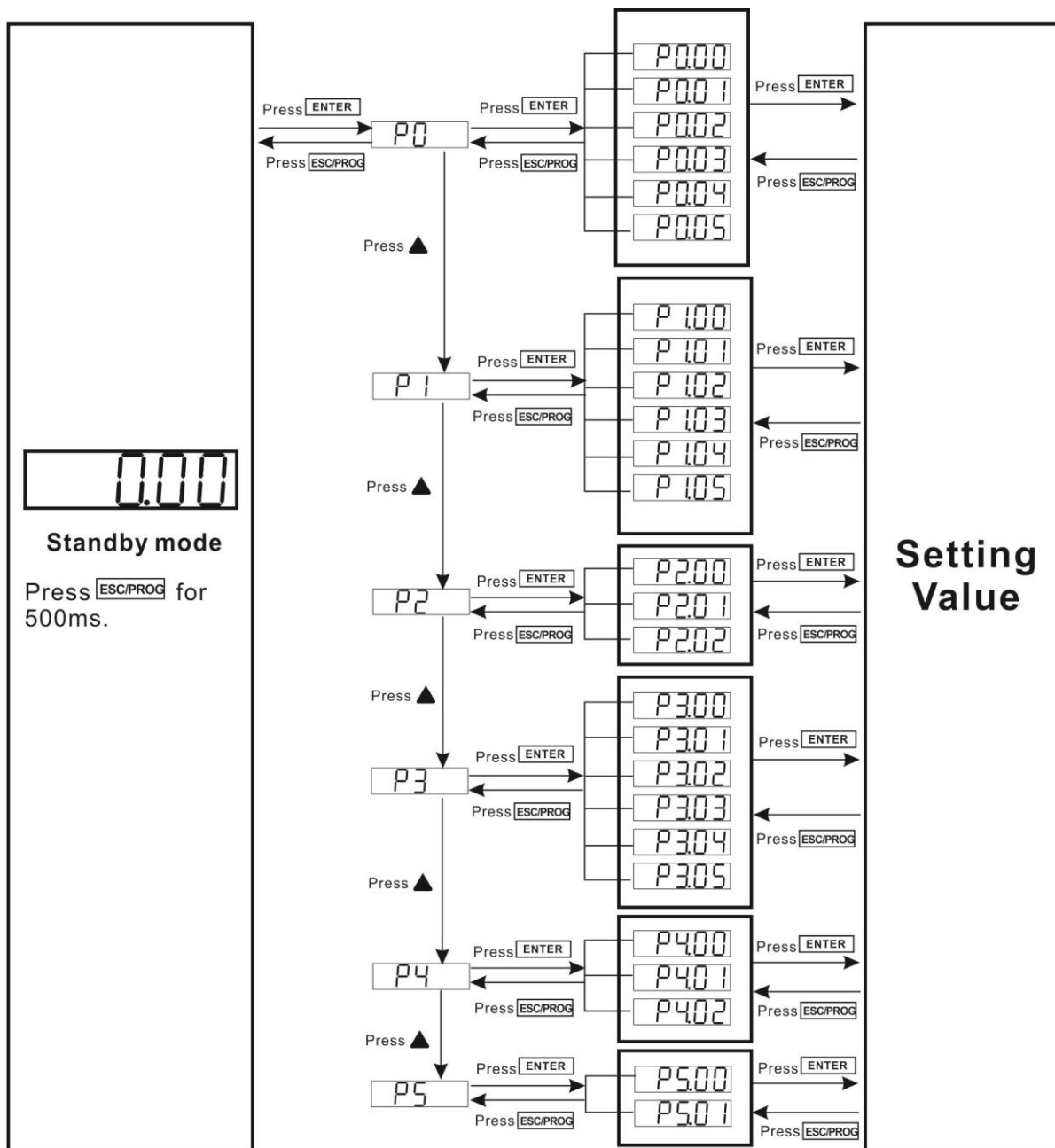
NOTE: After the inverter is turned on, LED display will show following information in turns: current output frequency, current output voltage, current output current, current PV voltage and current output power. After the inverter is turned off, LED display will still show output frequency until it's 0.

Function Buttons





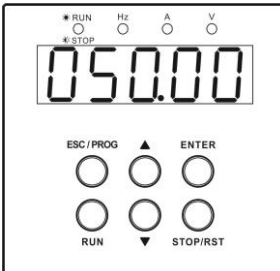
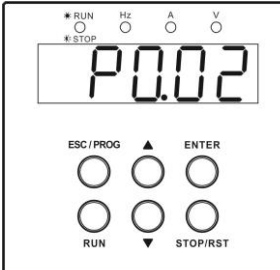
Function Button	Description
ESC/PROG	To enter or exit setting mode.
ENTER	To confirm the selection/value in setting mode.
RUN	To turn on the unit, press this button for at least 1 second.
STOP/RST	<ul style="list-style-type: none"> To turn off the unit, press this button for at least 1 second. To reset fault message, press this button for at least 1 second.
▲	To increase the setting value.
▼	To decrease the setting value.
▼ and ENTER	Press these two buttons at the same time to move cursor location.




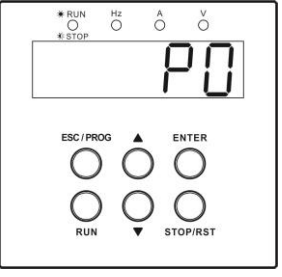
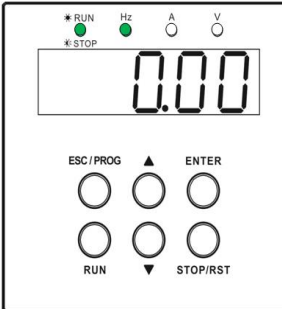
Parameter Setting

The entire display setting program structure is demonstrated as below chart.



Parameter setting procedure for water pump

Operation steps	Screen Display
<p>1. Press "ESC/PROG" button for 500ms. Then, it will display "P0" in display screen.</p>	 <p>The screen shows 'P0'. Above the screen are indicators for *RUN, Hz, A, and V. Below the screen are buttons for ESC/PROG, ENTER, RUN, and STOP/RST.</p>
<p>2. Press "ENTER" button for 500ms, display screen will show as in the right chart.</p>	 <p>The screen shows 'P0.00'. Above the screen are indicators for *RUN, Hz, A, and V. Below the screen are buttons for ESC/PROG, ENTER, RUN, and STOP/RST.</p>
<p>3. Press "ENTER" button again to start to set up rated power of the water pump. Press "ENTER" and "DOWN" buttons to switch cursor location. Press "UP" or "DOWN" button to change value for rated power. Until it shows correct rated power, please press "ENTER" button to confirm the setting.</p>	 <p>The screen shows '02000'. Above the screen are indicators for *RUN, Hz, A, and V. Below the screen are buttons for ESC/PROG, ENTER, RUN, and STOP/RST.</p>
<p>4. Press "UP" button for 500ms to switch to P0.01 program.</p>	 <p>The screen shows 'P0.01'. Above the screen are indicators for *RUN, Hz, A, and V. Below the screen are buttons for ESC/PROG, ENTER, RUN, and STOP/RST.</p>
<p>5. Press "ENTER" button to be able to set up rated frequency. Press "ENTER" and "DOWN" buttons to switch cursor location. Then, press "UP" or "DOWN" button to change value for nominal frequency. Until it shows correct nominal frequency, please press "ENTER" button to confirm the setting.</p>	 <p>The screen shows '050.00'. Above the screen are indicators for *RUN, Hz, A, and V. Below the screen are buttons for ESC/PROG, ENTER, RUN, and STOP/RST.</p>
<p>6. Press "UP" button for 500ms to switch to P0.02 program.</p>	 <p>The screen shows 'P0.02'. Above the screen are indicators for *RUN, Hz, A, and V. Below the screen are buttons for ESC/PROG, ENTER, RUN, and STOP/RST.</p>

<p>7. Press "ENTER" button to be able to set up nominal voltage of the water pump. Press "ENTER" and "DOWN" buttons at the same time to switch cursor. Then, press "UP" or "DOWN" button to change value for nominal voltage. Until it shows correct nominal voltage, please press "ENTER" button to confirm the setting.</p>	 <p>The control panel features a digital display showing '0380.0'. Above the display are four indicator lights labeled '* RUN', 'Hz', 'A', and 'V'. Below the display are six buttons: 'ESC/PROG' (left), 'ENTER' (right), 'RUN' (bottom left), and 'STOP/RST' (bottom right), with up and down arrow buttons in the center.</p>
<p>8. Press "UP" button for 500ms to switch to P0.03 program.</p>	 <p>The control panel display shows 'P0.03'. The indicator lights and button layout are the same as in the previous step.</p>
<p>9. Press "ENTER" button to be able to set up nominal current of the water pump. Press "ENTER" and "DOWN" buttons to switch cursor location. Then, press "UP" or "DOWN" button to change value for nominal current. Until it shows correct nominal current, please press "ENTER" button to confirm the setting.</p>	 <p>The control panel display shows '005.00'. The indicator lights and button layout are the same as in the previous steps.</p>
<p>10. Then, all parameters of water pump are set up completely. Press "ESC/PROG" button to return to P0 level. Please press "ESC/PROG" button again for 1 second to return to main interface.</p>	 <p>The control panel display shows 'P0'. The indicator lights and button layout are the same as in the previous steps.</p>
<p>11. Set up output setting to match the real wiring. P5.00 for setting single-phase output or three-phase output.</p>	
<p>12. Turn on the inverter by pressing "RUN" button. Then, RUN/STOP LED will light up and display screen will show inverter information in turns.</p>	 <p>The control panel display shows '0.00'. The '* RUN' and 'Hz' indicator lights are illuminated. The button layout remains the same.</p>

CAUTION: Before turning on the inverter, be sure to the wiring connection is matching the P5.00 setting. Otherwise, it will cause damage on the motor.

NOTE: If it's requested to have the inverter is automatically turned on every morning, please set up program P4.01 as "1" in standby mode.

Parameter Setting Table

○: This parameter can be modified no matter the inverter is in operation or off status.

⊙: This parameter can be modified only when inverter is turned off and it shows 0.00 Hz in display screen.

Program #	Description	Setting Range	Unit	Default Value	Note
P0 Parameter settings for the motor					
P0.00	Nominal power	10-2200	W	2200	⊙
P0.01	Nominal frequency	50/60	Hz	50	⊙
P0.02	Nominal voltage	187-264	V	220	⊙
P0.03	Nominal current	0.1-60	A	14	⊙
P0.04	Upper limit for frequency	Setting value in P0.05 – setting value in P0.01	Hz	50	⊙
P0.05	Low limit for frequency	6 – setting value in P0.04	Hz	10	⊙
P1 Over-current device on the motor and torque increasing					
P1.00	Maximum current limit	10-200	%	110	A multiple of nominal current ○
P1.01	Kp for max. current control	50-6000	None	1000	○
P1.02	Ki for max. current control	5-1000	None	100	○
P1.03	60S overload protection	110-250	%	150	⊙
P1.04	Overload protection on motor	110-250	%	250	⊙
P1.05	Voltage for torque increasing	0-10	%	0	Percentage of nominal voltage
P2 PV DC voltage setting					
P2.00	Over DC voltage protection	Setting value in P2.01 - 450	V	450	⊙
P2.01	Under DC voltage protection	90 – Setting value in P2.00	V	90	⊙
P2.02	PV reference voltage	Setting value in P2.01 – setting value in P2.00	V	330	○

Program #	Description	Setting Range	Unit	Default Value	Note
P3 Protection setting for the inverter of the water pump					
P3.00	Sleep mode while PV energy is weak	10-3600	S	120	○
P3.01	Sleep mode for dry running	10-7200	S	1200	○
P3.02	Allow dry pumping duration	1-3600	S	5	○
P3.03	Over temperature fault on inverter	setting value in P3.04 ~ 100	°C	85	⊙
P3.04	Over temperature warning on inverter	10 ~ setting value in P3.03	°C	75	○
P3.05	Acceleration time for motor	1-3600	S	20	⊙
P3.06	Deceleration time for motor	1-3600	S	20	⊙
P3.07	Over-temperature warning for environment	10-60	°C	45	○
P4 Inverter operation mode setting					
P4.00	MPPT function enable/disable	0 : Disable. Control PV voltage in setting value of P2.02 1 : Enable	None	1	⊙
P4.01	Auto turn-on	0 : Disable 1 : Enable	None	0	⊙
P4.02	Dry-pumping protection enable/disable	0 : Disable 1 : Enable	None	1	○
P5 Output setting					
P5.00	Three-phase or single-phase output setting	0000: Single-phase output 1111: Three-phase output	None	0000	⊙
P5.01	Remote monitored device ID setting	1 ~ 247	None	1	○
P5.02	Restore to default setting	0 : No 1 : Yes	None	0	⊙

Fault and Warning Code

All fault and warning codes can be reset by pressing "RST" button except for A07 and A11. When faults or warning occur, press "RST" button and the inverter will enter standby mode. Please press "RUN" button to turn on the inverter for operation again.

After A02 or A03 warning occurs, the inverter will auto restart operation after a period of sleep mode. If pressing "RST" button during sleep mode, please be sure to press "RUN" button again for operation.

Fault Reference Code

Fault code	Fault type	Possible Cause
E01	Time out for BUS soft start	The resistor of soft start is broken.
E02	Soft start relay fault	The soft start relay is broken.
E03	Over voltage in output	1. Inverter control is abnormal. 2. Detection is interfered.
E04	Over current in output	1. Output short circuited. 2. The motor is suddenly locked. 3. The motor is abnormal.
E05	Output voltage RMS High	Inverter control is abnormal.
E06	High PV voltage	1. PV input voltage is too high. 2. There is something wrong with voltage detection circuit.
E07	Current unbalance	1. Output phase loss 2. Output wire is short to the earth. 3. The motor is abnormal.
E09	Over Temperature	1. IGBT temperature is too high 2. The wire of IGBT temperature detection is not connected.
E10	Over current.	1. Output short circuited. 2. The motor is suddenly locked. 3. Inverter connects to single phase motor but LCD output setting is three-phase output.
E11	Instantaneous Bus voltage over	1. Pump intrusion. 2. PV voltage is too high.
E12	Current detect fault	Current detection circuit is abnormal.
E13	Output voltage detect fault	Voltage detection circuit is abnormal.
E14	NTC0 no connect	Heatsink detected wire is not connected.
E15	NTC1 no connect	Environment temperature detected wire is not connected.
E16	Output setting is wrong.	P5.00 parameter setting is wrong.
E17	AC input relay fault.	AC input relay is broken.
E18	Bus voltage over 450 VDC	1. PV voltage is too high. 2. AC input voltage is too high.

Warning Reference Codes

Warning code	Warning type	Possible Cause
A01	PV input voltage is too low.	1. PV input voltage is too low. 2. Sunlight is too weak.
A02	Weak sunlight	Sunlight is too weak
A03	Dry running	1. Water level in the well is low. 2. Nominal power of motor is not setting.
A04	Motor over-temperature protection.	1. The motor is suddenly locked. 2. The pump head is too high. 3. Wrong current setting on the motor.
A05	Output overload protection	1. The motor is suddenly locked. 2. Wrong current setting on the motor. 3. Inverter connects to three-phase motor but LCD output setting is single phase output.
A06	EEPROM error	There is something wrong with EEPROM circuit.
A07	IGBT over temperature warning	Over temperature on IGBT.
A08	Over-temperature warning for environment	Over temperature warning. The default warning point is 45°C.
A09	Over-temperature fault for environment	1. Environment temperature is beyond the upper limit (60°C). 2. The wire of environment temperature detection is not connected.
A10	Wrong parameter setting in the motor.	Wrong parameter setting in the motor.
A11	Water tank is full.	Water tank is full.
A12	Water tank is dry.	No water or water in low level in the water tower.
A13	Well is dry.	No water or water in low level in the well.
A14	Password verification is not complete.	No password is set up.
A15	AC input voltage loss	AC input voltage is abnormal.
A16	Startup on single-phase output fails.	PV power is lower than specification. 1. If this warning occurs, if AC power input is available, the inverter will switch to AC power input for 30 minutes. After 30 minutes, the inverter will switch back to PV input. If there is no AC power input available, the inverter will be in standby mode for 30 minutes and then re-start up. If the sun is strong and this warning code keeps alarm, please increase your PV module no. 2. Increase PV power.
A17	Inverter overload protection.	Output power is beyond the nominal output power of the inverter.

SPECIFICATIONS

MODEL	2.2KW LS	
Rated Output Power	2200 W	
Power grid or AC generator input		
Nominal voltage	220/230/240V(1PH) (-15%~+10%)	
Frequency range	47-63Hz	
PV INPUT (DC)		
Nominal DC Voltage / Maximum DC Voltage	330 VDC / 450 VDC	
Start-up Voltage	120VDC	
MPPT Voltage Range	120 VDC ~ 420VDC	
Number of MPP Trackers	1	
AC OUTPUT		
Nominal Voltage	220/230/240V VAC	
Efficiency	> 97%	
Nominal Output Current	14 A	10 A
Motor Type	Single-phase motor	Three-phase asynchronous motor
Frequency Precision	±0.2%	
PROTECTION		
Full Protection	Phase lost, dry pumping, motor locked, weak sunlight, over-voltage, under-voltage, over-current, surge, over-temperature and short circuit protection	
PHYSICAL		
Dimension, D X W X H (mm)	110 x 230 x 342	
Net Weight (kgs)	5	
Type of Mechanical Protection	IP20	
INTERACE		
Communication Port	RS-232/RS-485	
ENVIRONMENT		
Humidity	< 95% RH (No condensing)	
Operating Temperature	-20°C~45°C at 100% full load, 46°C~60°C power derating	